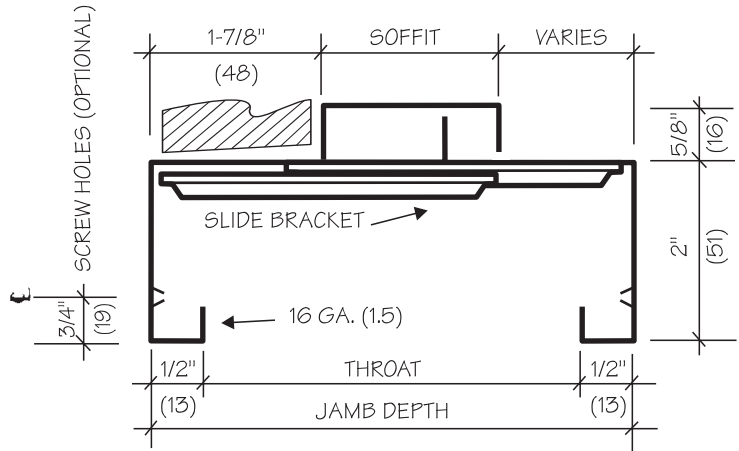
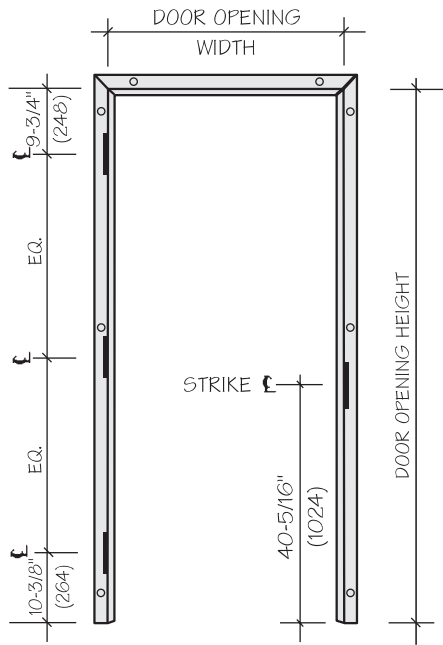
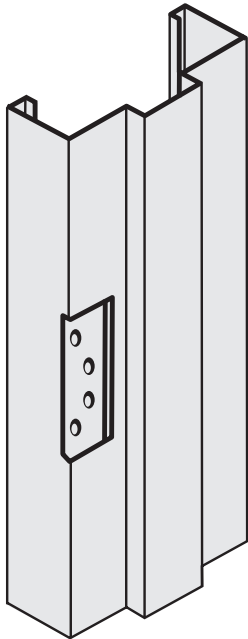


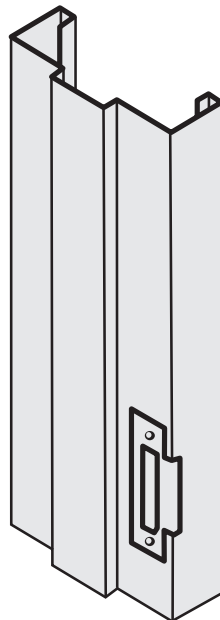
DW16 EXPANDABLE FRAMES



MODEL	MINIMUM THROAT	MAXIMUM THROAT	SOFFIT
EF-1	3-1/2" (89)	5-1/16" (129)	1-3/4" (45)
EF-2	4-1/2" (114)	7-7/8" (200)	3-1/2" (89)
EF-3	8-5/8" (219)	12" (305)	3-1/2" (89)

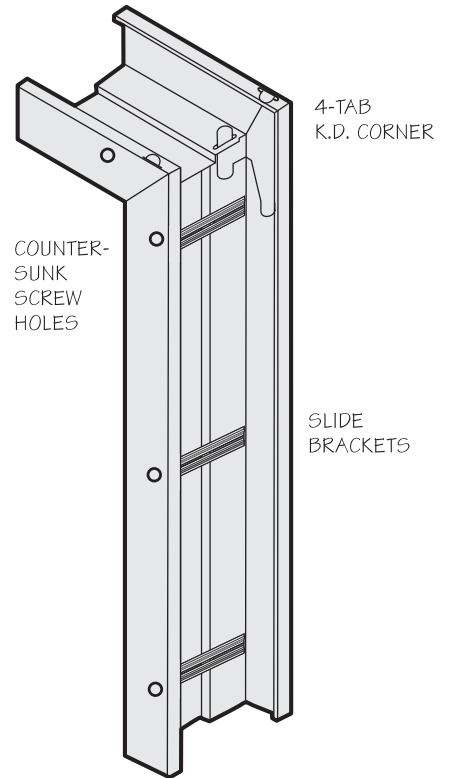


4-1/2" (114) HINGE PREPARATION—8 GA. (4.3) REINF. WITH DUST BOX



4-7/8" (124) STRIKE PREPARATION [ANSI A115.1] 14 GA. (2.0) REINF. WITH DUST BOX.

OPTIONAL DEADBOLT PREPARATION AVAILABLE



PRINTED IN CANADA

PROJECT:

DATE:

SH: OF

LH

SWING KEY

RH